

data specification for GBH glass door **RSZ-K2**, door drive underneath

mailto: christian.gratzl@gbh-design.de

Company		Door width (mm)	
Name		Door height (mm)	
Phone		Shaft-R (mm)	
Fax		Apron height cabine door (mm)	
e-Mail		Cabine door (piece)	
Key word		Shaft door (piece)	

General remarks

GBH Design GmbH
 Aufzugskomponenten
 Am Branden 2
 D-85256 Vierkirchen
 Christian Gratzl
 Telefon: +49 8139 9321 316
 Telefax: +49 8139 9321 301

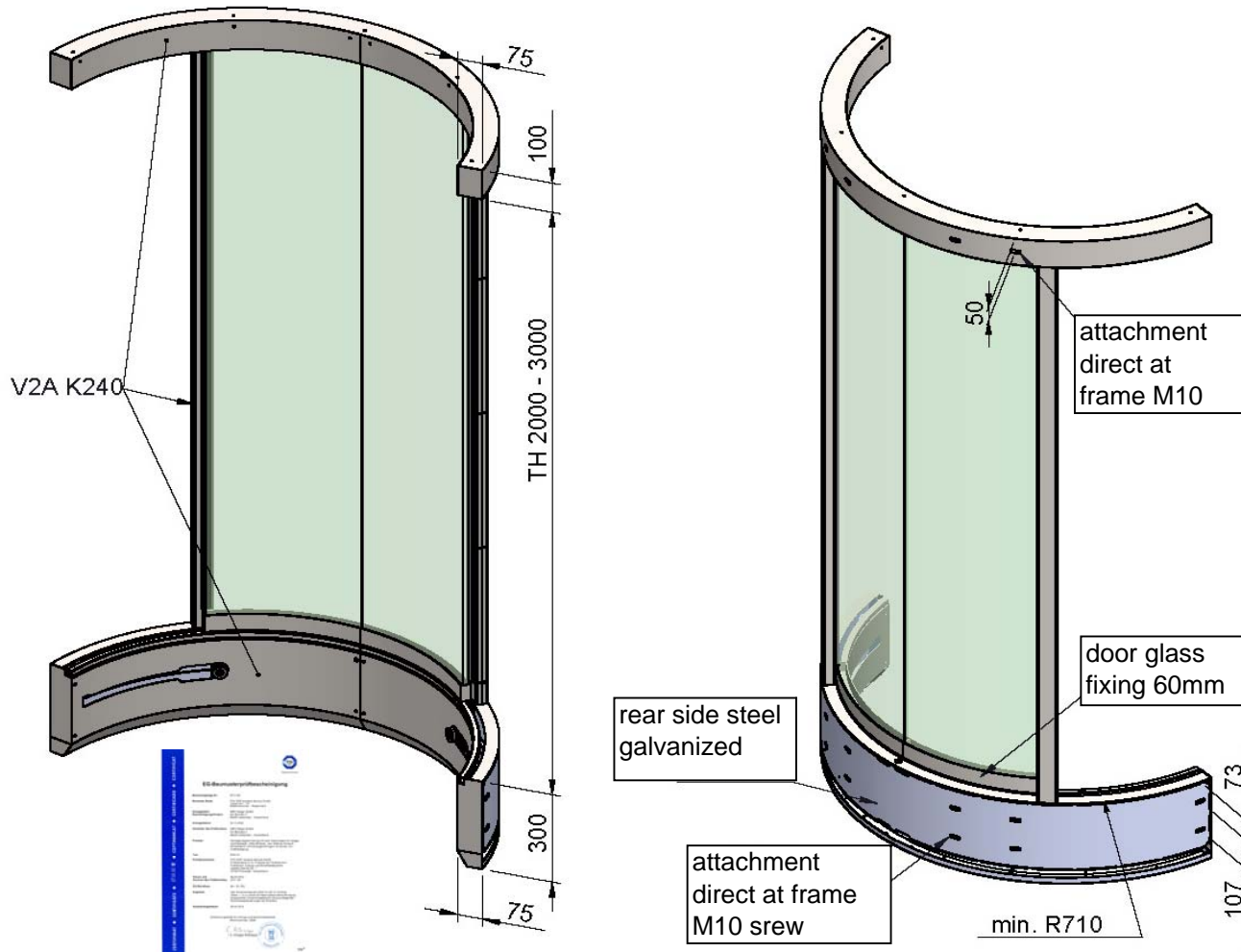


technical description
shaft door:

DW 700 bis 2000mm, DH 2000 bis 3000mm
 mechanism underneath
 full glass door, VSG16 (bracket below)
 door lock: two hook interlock
 el. contact: IP20
 unlocking device in the sill (triangle socket)
 pieces stainless steel or electrogalvanize
 attachment directly at the steel frame
 load: DW 900 / DH 2100 approx. 175kg

options:

revision front apron high
 revision upper door frame width
 el. contact: IP67
 special attachment on customer's request
 covering behind area stainless steel
 door leaf stainless steel
 emergency release contact
 special door frame



data specification for GBH glass door **RSZ-K2**, door drive underneath

technical description
cabin door:

DW 700 bis 2000mm, DH 2000 bis 3000mm

mechanism underneath

full glass door, VSG16 (bracket below)

drive Siemens AT40

el. contact: IP67

pieces stainless steel or electrogalvanize

attachment directly at the cabine

load: DW 900 / DH 2100 approx. 240kg

options:

door leaf stainless steel

revision front apron high

revision upper door frame width

special attachment on customer's request

door-entrance on customer's request

light curtain with stainless steel bracket

electromagnetic door-interlock

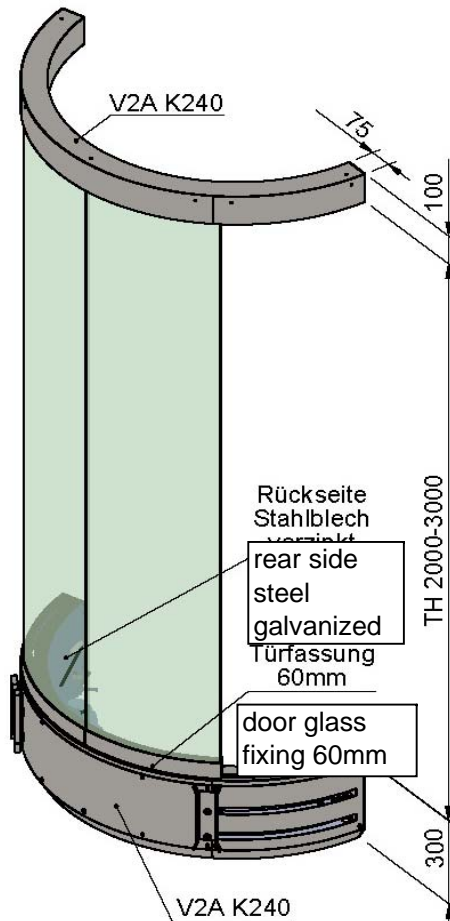
type Kronenberg

by distance car-shaft >150mm

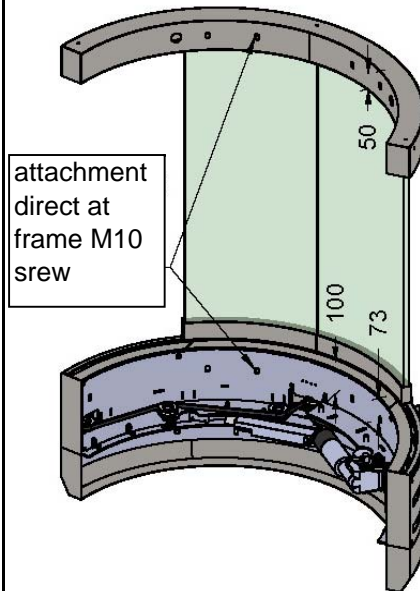
covering behind area stainless steel

General remarks

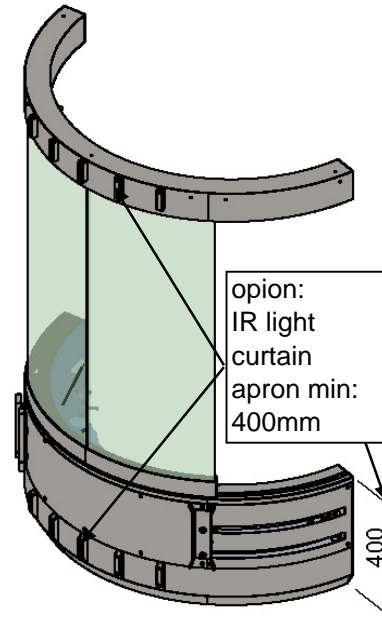
Cabin - door



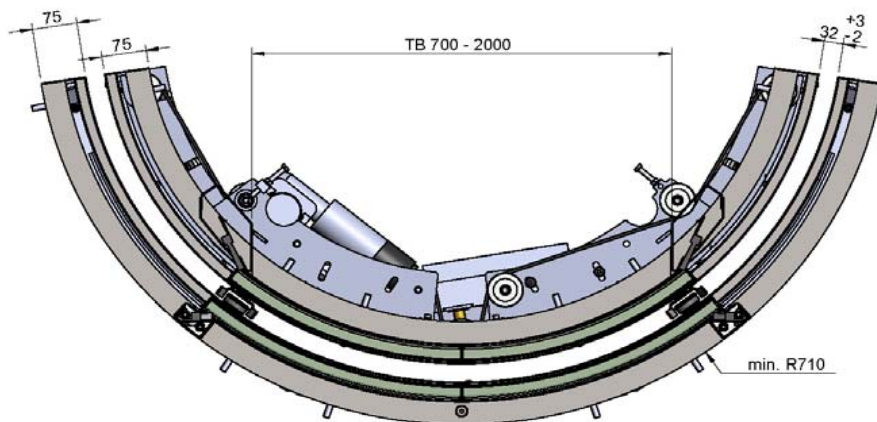
Cabin - door - fixing



Option foto sensor



Dimensions: Cabin and Shaft door



shaft door fixing

cabin door fixing

